

3MN19

M

DRAWING NUMBER

X 2

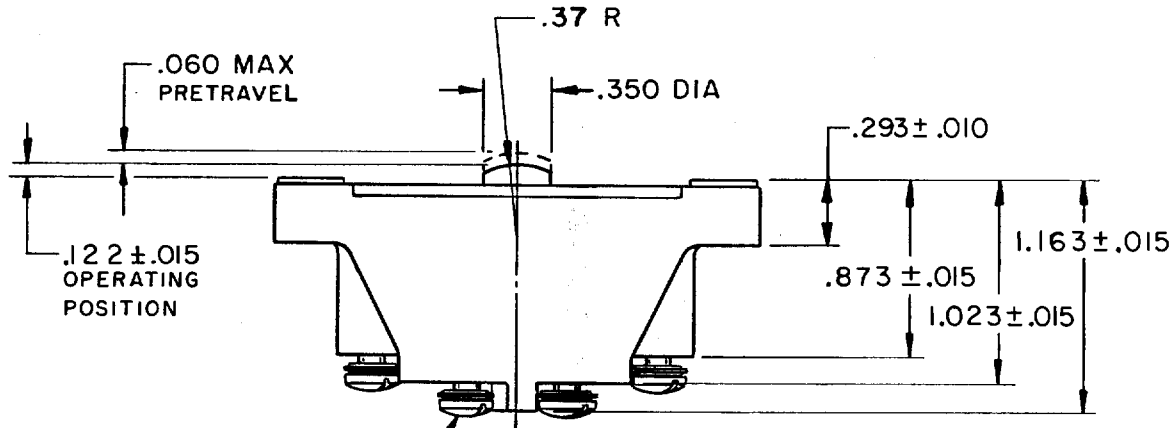
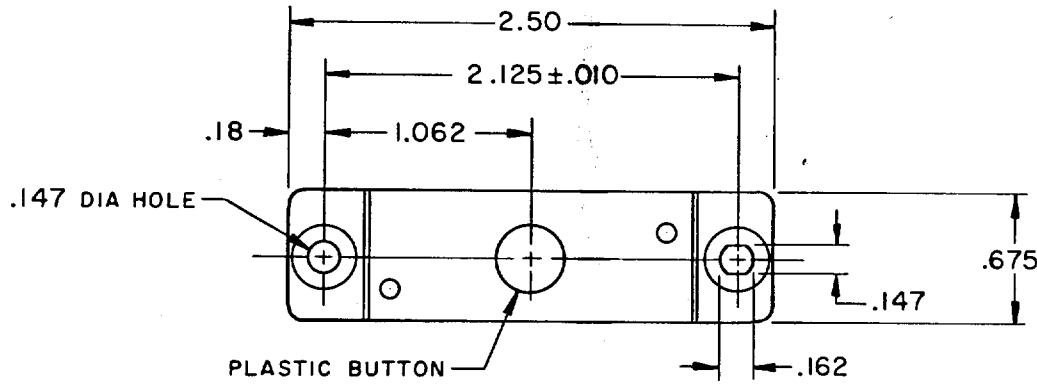
ISSUE 4

REPLACES

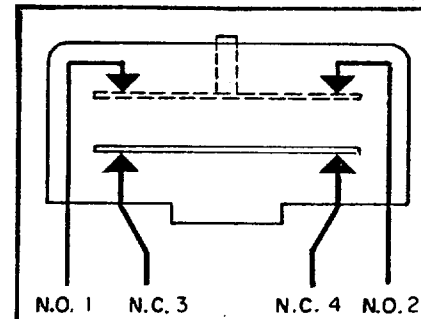
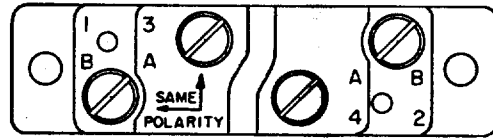
RELEASE NO. PR-11059

CHECK

CHECK



8-32 UNC X .230 REF BINDING
 HEAD TERMINAL SCREW AND
 LOCKWASHER (SEMS) (4)

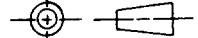


CIRCUIT DIAGRAM

NOTE -
 1 - MOUNTING HOLES WILL ACCEPT PINS OR SCREWS
 OF .139 MAX DIA ON 2.125 CENTERS

THIS DRAWING COVERS A PROPRIETARY ITEM AND IS THE PROPERTY OF MICRO SWITCH, A DIVISION OF HONEYWELL. THIS DRAWING IS NOT TO BE COPIED OR USED WITHOUT THE APPROVAL OF MICRO SWITCH.

THIRD ANGLE PROJECTION



CHARACTERISTICS

OPERATING FORCE ----- 7 - 11 OZ
 RELEASE FORCE ----- 4 OZ MIN
 DIFFERENTIAL TRAVEL ---- .015 - .025
 OVERTRAVEL ----- .080 MIN

ELECTRICAL DATA

CONTACT ARRANGEMENT
 SEE CIRCUIT DIAGRAM
 15A-120, 240, 480, OR 600 VAC
 1/2 HP-120 VAC; 1 HP-240 VAC
 0.8A-115 VDC; 0.4A-230 VDC
 PILOT DUTY 600 VAC MAX

B600



SCALE FULL

DO NOT SCALE PRINT

TOLERANCES

APPLY TO DESIGN UNITS. CONVERSIONS ARE ONLY FOR REFERENCE. UNLESS NOTED, TOLERANCES ARE ±

	DIM. mm	TOL. mm/in	DIM. in	TOL. mm/in
NO PLACES	X	1/.04	X	0.8/.03
ONE PLACE	X,X	0.4/.016	X,X	0.38/.015
TWO PLACES	X,XX	0.15/.006	X,XX	0.13/.005
THREE PLACES	X,XXX		X,XXX	
ANGLES				

DESIGN UNITS SI METRIC

US CUSTOMARY

WEIGHT

FO-52848-A

DRAWN

D J S 12 APR 82 CHECKS UH 5 APR 87 CHECK